



HIND RECTIFIERS LTD.  
 REGD. OFFICE & WORKS: LAKE ROAD, BHANDUP,  
 MUMBAI – 400 078  
 Tel. : 25968027-28-31 Fax : 25964352, 25964114  
 Web site: [http:// www.hirect.com](http://www.hirect.com)

**RECTIFIER DIODE**

**SH30C725**

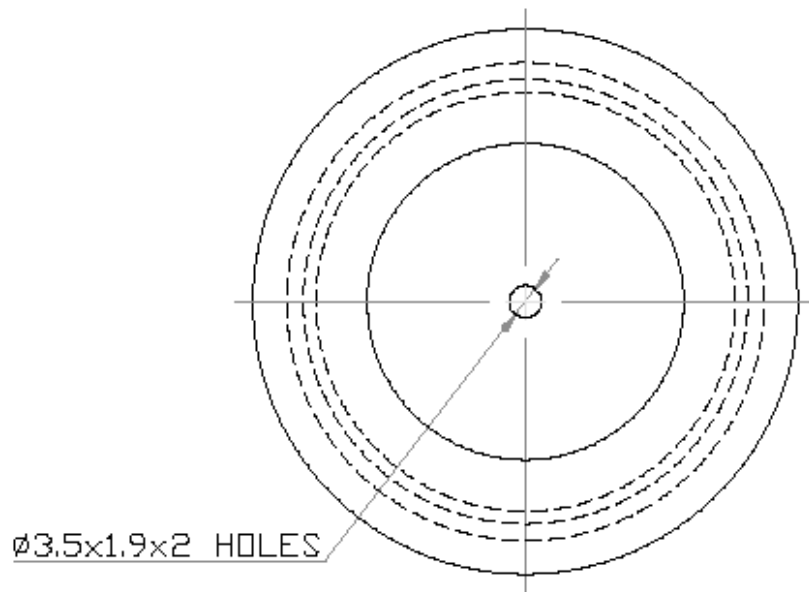
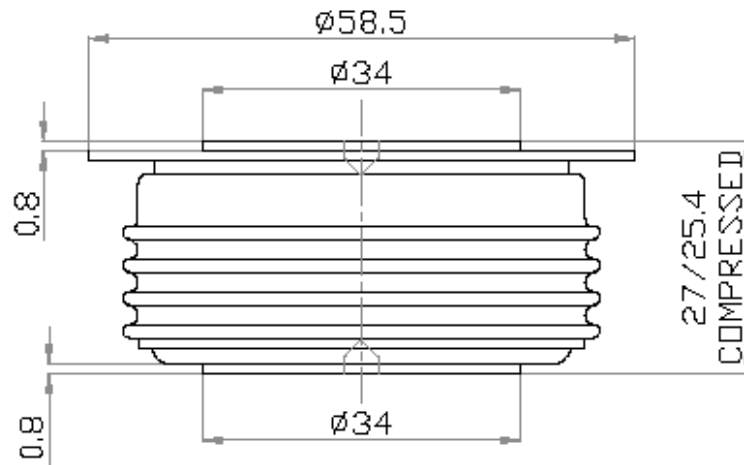
Repetitive voltage **3000 V**  
 Mean forward current **725 A**  
 Surge current **13.0 kA**

Symbol	Characteristic	Conditions	T <sub>j</sub> [°C]	Value	Unit
<b>BLOCKING</b>					
V <sub>RRM</sub>	Repetitive peak reverse voltage		160	3000	V
V <sub>RSM</sub>	Non-repetitive peak reverse voltage		160	3100	V
I <sub>RRM</sub>	Repetitive peak reverse current	V = V <sub>RRM</sub>	160	40	mA
<b>CONDUCTING</b>					
I <sub>F(AV)</sub>	Mean forward current	180° sin , 50 Hz, T <sub>CASE</sub> =120°C, double side cooled		725	A
I <sub>RMS</sub>	RMS forward current			2610	A
I <sub>FSM</sub>	Surge forward current	Sine wave, 10 ms, with 50%V <sub>RRM</sub>	160	13.0	KA
I <sup>2</sup> t	I <sup>2</sup> t	Sine wave, 10 ms		845 x 10 <sup>3</sup>	A <sup>2</sup> s
V <sub>FM</sub>	Forward voltage	Forward current = 3000 A	160	1.76	V
V <sub>F(TO)</sub>	Threshold voltage		160	0.77	V
r <sub>F</sub>	Forward slope resistance		160	0.316	mΩ
<b>MOUNTING</b>					
R <sub>th(j-h)</sub>	Thermal impedance, 180° sine	Junction to heatsink, double side cooled		0.033	°C/W
T <sub>j</sub>	Max. junction temperature			160	°C
T <sub>stg</sub>	Storage temperature			-40 .... 160	°C
F	Clamping force			1000-2000	kgF
	Weight			340	g
	Outline drawing reference			TE - 3532/1	

IF IN DOUBT, ASK

SF-03-009

ALL INFORMATION CONTAINED IN THIS DOCUMENT IS CONFIDENTIAL & SHOULD NOT BE USED WITHOUT PRIOR CONSENT OF HIND RECTIFIERS LTD.



QTY.		DESCRIPTION			REF.	MAT.	P.T.	REMARKS
R. NO.	DATE	ZONE	BRIEF RECORD OF REVISION		INITIAL			
1.	03/01/89		PLAN VIEW ADDED.					
SCALE 1 : 1.5		1988	DATE	NAME	<b>HIND</b> RECTIFIERS LTD MUMBAI 400 078, SEMICONDUCTOR DIVISION			
DIMEN. IN mm		DR.	14/09	S.G.K.				
		CH.	14/09					
		AP.	14/09					
TOLERANCE 0.1		ORDER REF. :			CAPSULE DIODE SH 30 C 725		DRG. NO.	TE-3532/1